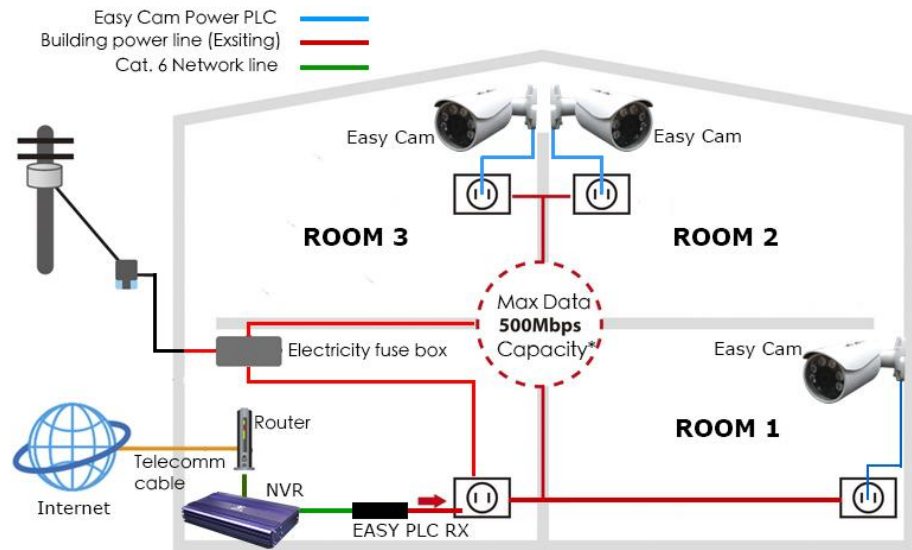


The Easy PLC RX Module

FEATURE:



Our Easy PLC RX Module is with the Power Line Communication (PLC) function which Supported with standard IEEE802.3、IEEE802.3u protocols and HomePlug AV standard.

The Easy PLC RX Module is response and IP signal receiver in the power line communication, especially process the digital video signal from front of the easy PLC cam (security camera) to the end of storage device- NVR (network video recorder). With the PLC chip contains an MII / RMII host interface, it integrated memory and a 10/100M low power Ethernet PHY. The PLC line driver IC is a companion chip. And based on the HomePlug® AV solution. It can provide a wide frequency band (2 MHz to 68 MHz) that can deliver more than twice the speed of the current HomePlugAV solution product.

The Easy Module is Specialized:

- Under one electrical circuit; Support Power line communication up to the five connection point (4 Cameras + 1 Rx) ;
- Supported with standard IEEE802.3、IEEE802.3u protocols ;
- Support HomePlug AV standard ;
- Video digital signal and Data transmission over existing power lines, the PLC Receiver can be provides up to total in 500Mbps transfer rates ;
- 10/100Mbps Ethernet interface ;
- Supported digital video signal over the PLC, with the 100m transmission distance (In the same electric power circuit) ;
- Supported 128-bit AES encryption、Secure Network Data transmission ;
- Support in OS platform, includes the Mac, Linux, and PC

Specification:

Electricity Specification	
Name	Easy Module
Protocol/ Standard	Home Plug AV , IEEE 802.3 , IEEE 802.3u
Network Protocol	TCP/IP , IGMP , CSMA/CA , QoS
Modulation rules	OFDM (1024/256/64/16-QAM,QPSK,BPSK 和 ROBO
Transmitted frequency	2-68MHz
Transmitted speed rate	Max. 500Mbps (PLC function)
RJ45 Port	10/100Mbps 4pin
Other Ports	AC Port, Function pin interface , DC Port
LED indicate	Power Indication , Power line data transfer indication , Ethernet active indication
Operate OS system	Windows platform , Linux , Mac OS
PLC Transmission distance	100m
Data Security	128-bit AES
Power	DC-12V / 200mA
Consumption	Normal $\leq 2.5W$, standby $\leq 0.5W$
Size	mm x mm x mm (LxWxH)
Weight	g
Working environment	Indoor/ Outdoor
Working temperature	0°C~70°C
Storage temperature	-20°C~70°C
Humidity	10%~90%RH, No condensation
Storage humidity	5%~90%RH, No condensation